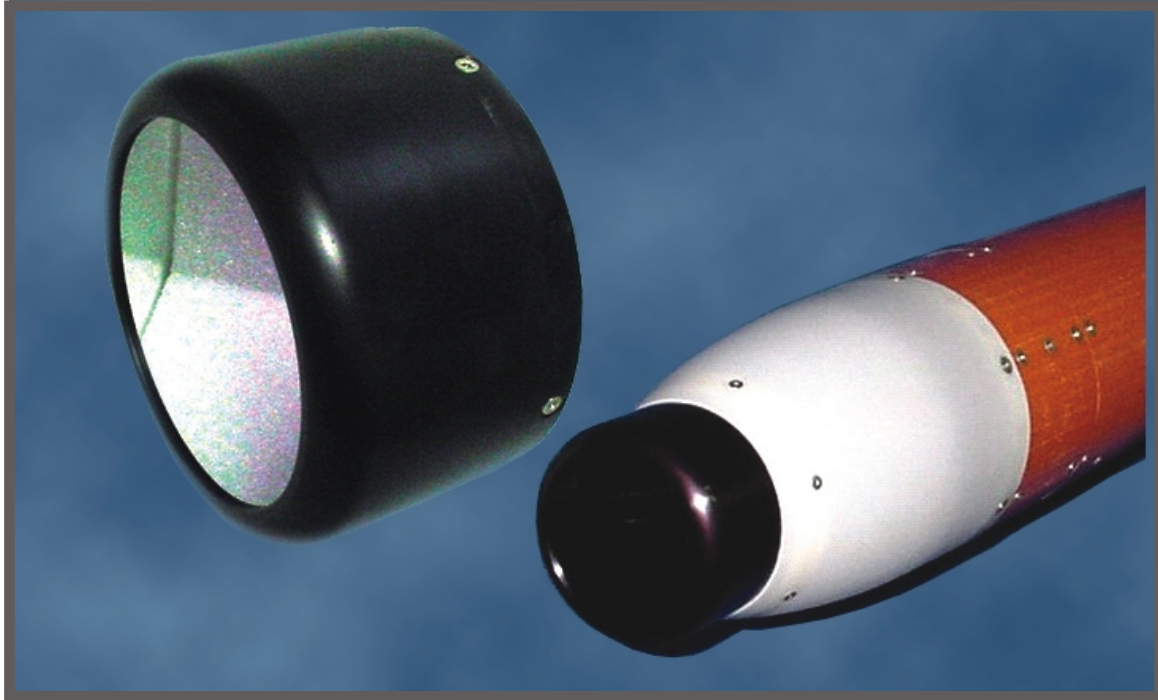


FIRE-40, Forward Infrared Emitter, 40 Watts/STR



Features

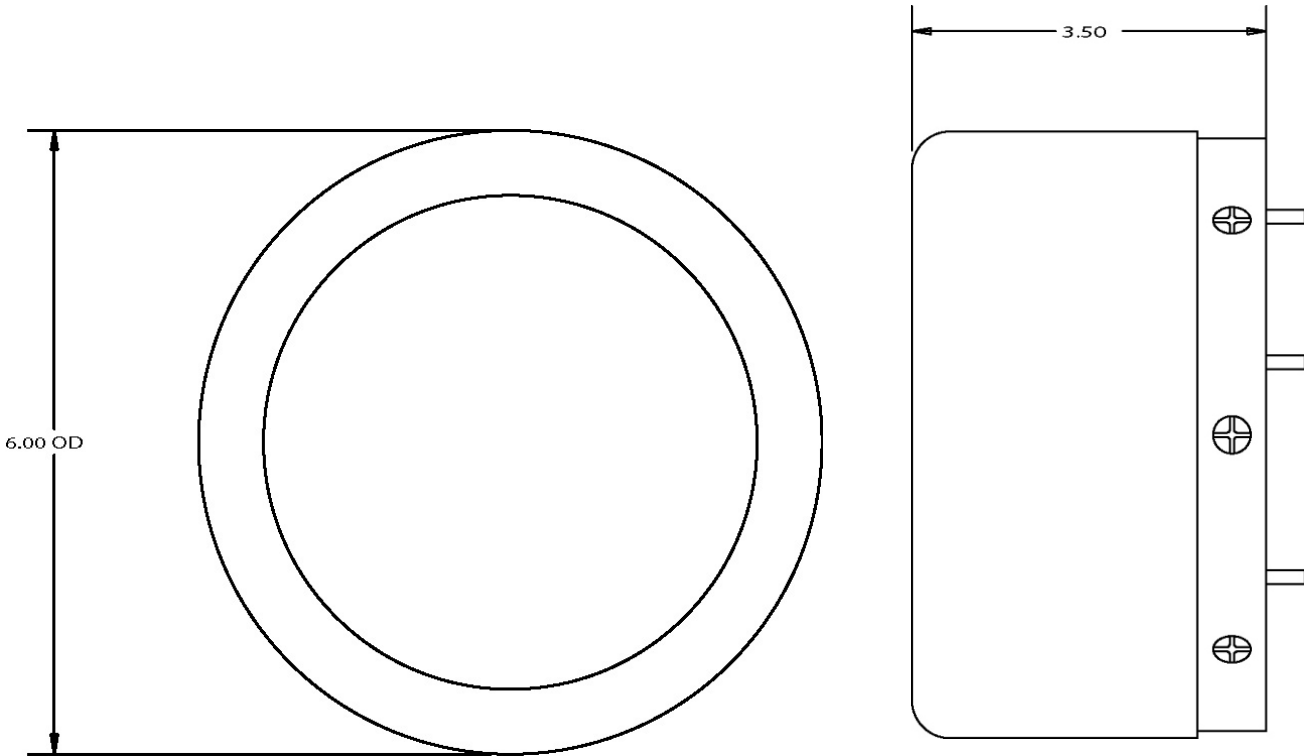
- Small, lightweight
- Electrically powered IR source
- 28 volts produces up to 40 w/str
- For use with AIM-9, Stinger, Mistral, and RAM missiles

Description

The FIRE-40 is a small, lightweight, electrically powered infrared source, designed to be mounted on the wing tip of target drones and in the nose or tail of towed targets. Operating at 28-volts, it produces an operator selectable IR signature from as little as 6 W/str to 40 W/str in the 3-5 micron band and is ideal for use with air-to-air IR guided missiles such as AIM-9 and MAGIC and surface-to-air IR guided missiles such as Stinger, Mistral and RAM.

In addition to its very light weight, small size and low power requirement, a major advantage of the FIRE-40 is that its output is not sensitive to airspeed, altitude or mounting orientation and its duration, when linked to a generator such as when mounted in the Meggitt TGX-IR towed target, is unlimited. It is ideally suited for forward facing infrared target augmentation making it especially useful for air-to-air and Navy head on attack profiles.

FIRE-40, Forward Infrared Emitter, 40 Watts/STR



W.T. = 3.0 Lbs.

FIRE - 40 WIRING CONFIGURATION

	 2.95 OHMS 9.5 AMPS 19 W/STR	 9.40 OHMS 3.0 AMPS 6 W/STR	 3.62 OHMS 7.5 AMPS 15 W/STR	 28
INPUT POWER WATTS	267	83	210	560
INPUT AMPS	9.5	3.0	7.5	20.0
OUTPUT POWER - IN 3-5 MICRON BAND HEAD ON W/STR	19	6	15	40.0

THERMOCOUPLE IS K-TYPE

Meggitt Defense Systems, Inc.
 9801 Muirlands Blvd.
 Irvine
 California
 92618
 United States

Tel: 949 465 7700
 Fax: 949 465 9560

www.meggittdefense.com

MEGGITT
 smart engineering for
 extreme environments